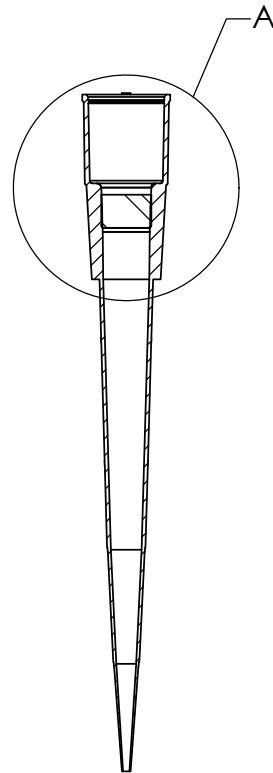
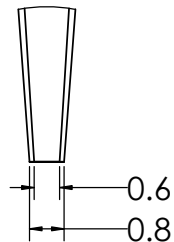
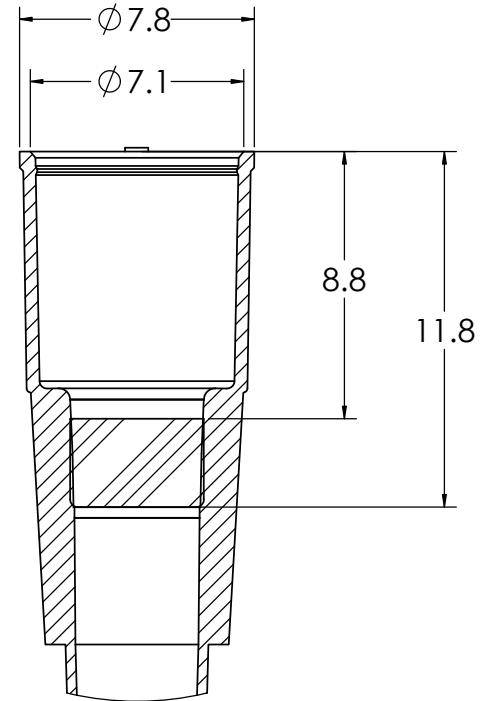


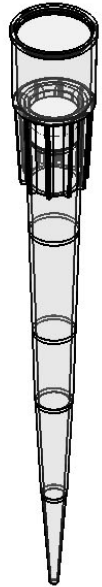
DETAIL B  
 SCALE 12 : 1



SECTION C-C  
 SCALE 3 : 1



DETAIL A  
 SCALE 8 : 1



  
 1310 Thurman Street  
 Lovi, CA 95249  
 Ph: (209) 333-2120  
 Fax: (209) 333-9623  
 info@scientificspecialties.com

UNLESS OTHERWISE SPECIFIED  
 DIMENSIONS ARE IN MILLIMETERS

TITLE:		300uL LTS Tip	
ITEM:	49LXNSF	REV.:	R4
DATE:		10/17/2024	